

- MH1 MountingHole
- MH2 MountingHole
- MH3 MountingHole
- MH4 MountingHole

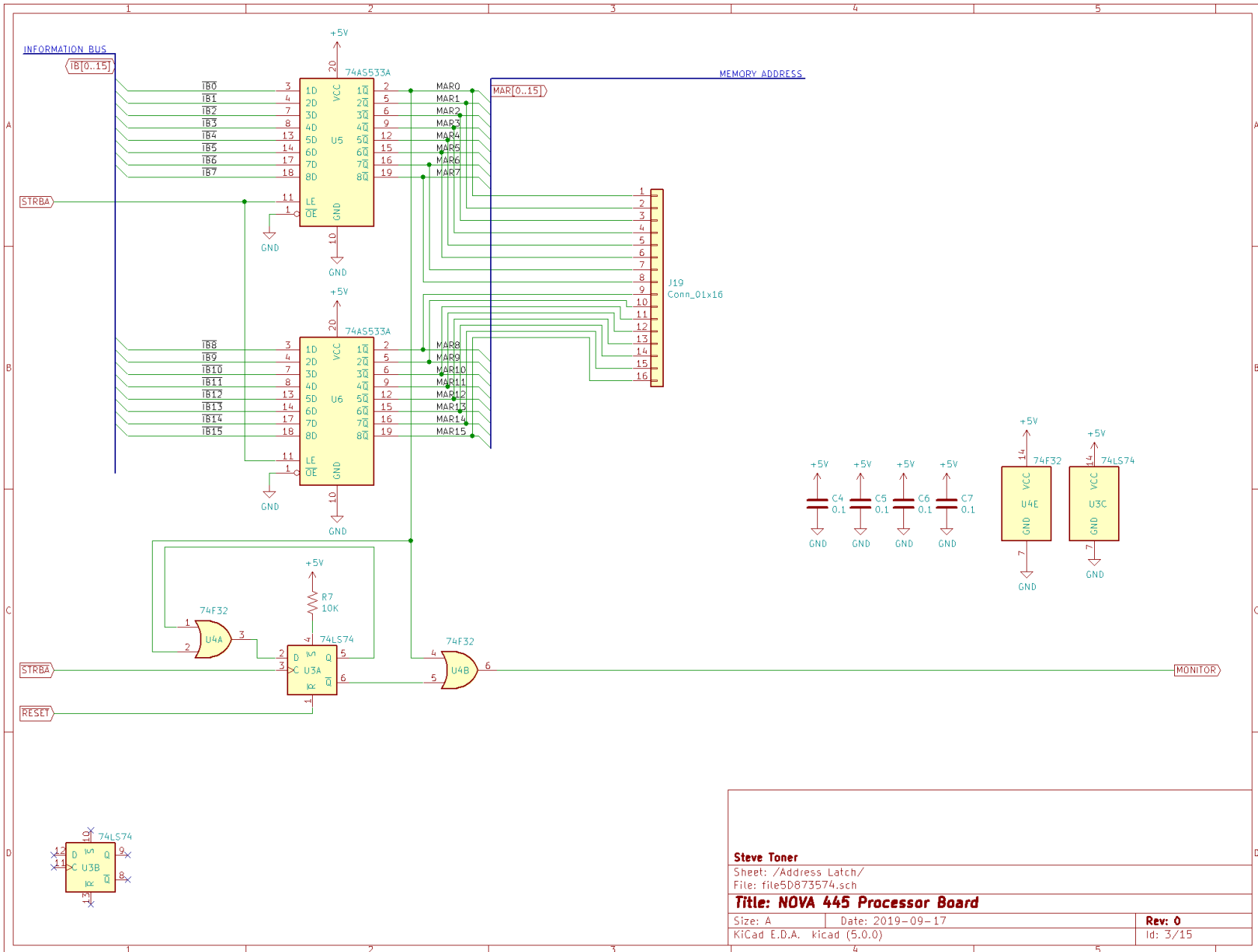
Steve Toner

Sheet: /
File: NOVA445.sch

Title: NOVA 445 Processor Board

Size: A Date: 2019-09-17
KiCad E.D.A. kicad (5.0.0)

Rev: 0
Id: 1/15



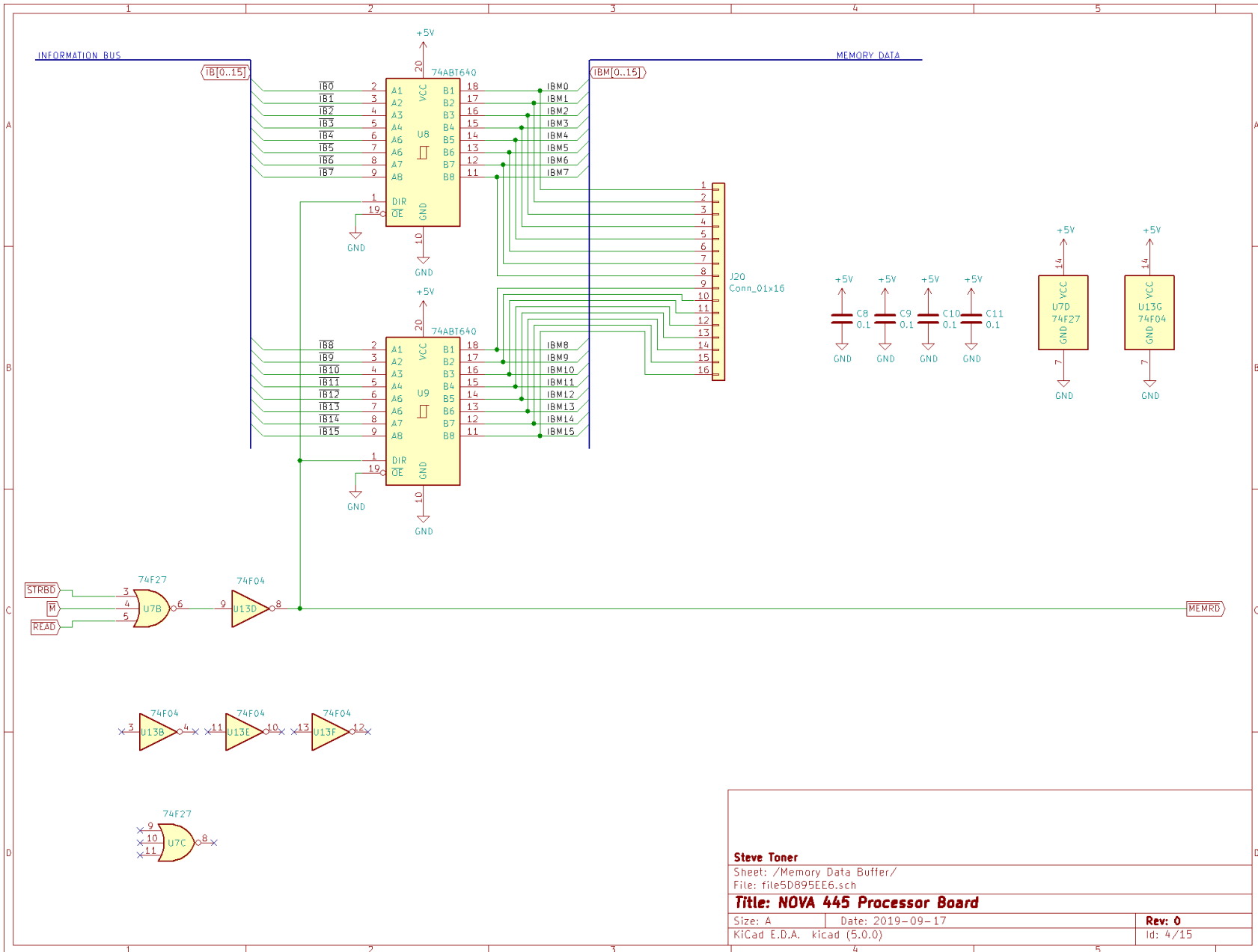
Steve Toner

Sheet: /Address Latch/
File: file5D873574.sch

Title: NOVA 445 Processor Board

Size: A Date: 2019-09-17
KiCad E.D.A. kicad (5.0.0)

Rev: 0
Id: 3/15



Steve Toner

Sheet: /Memory Data Buffer/
File: file5D895EE6.sch

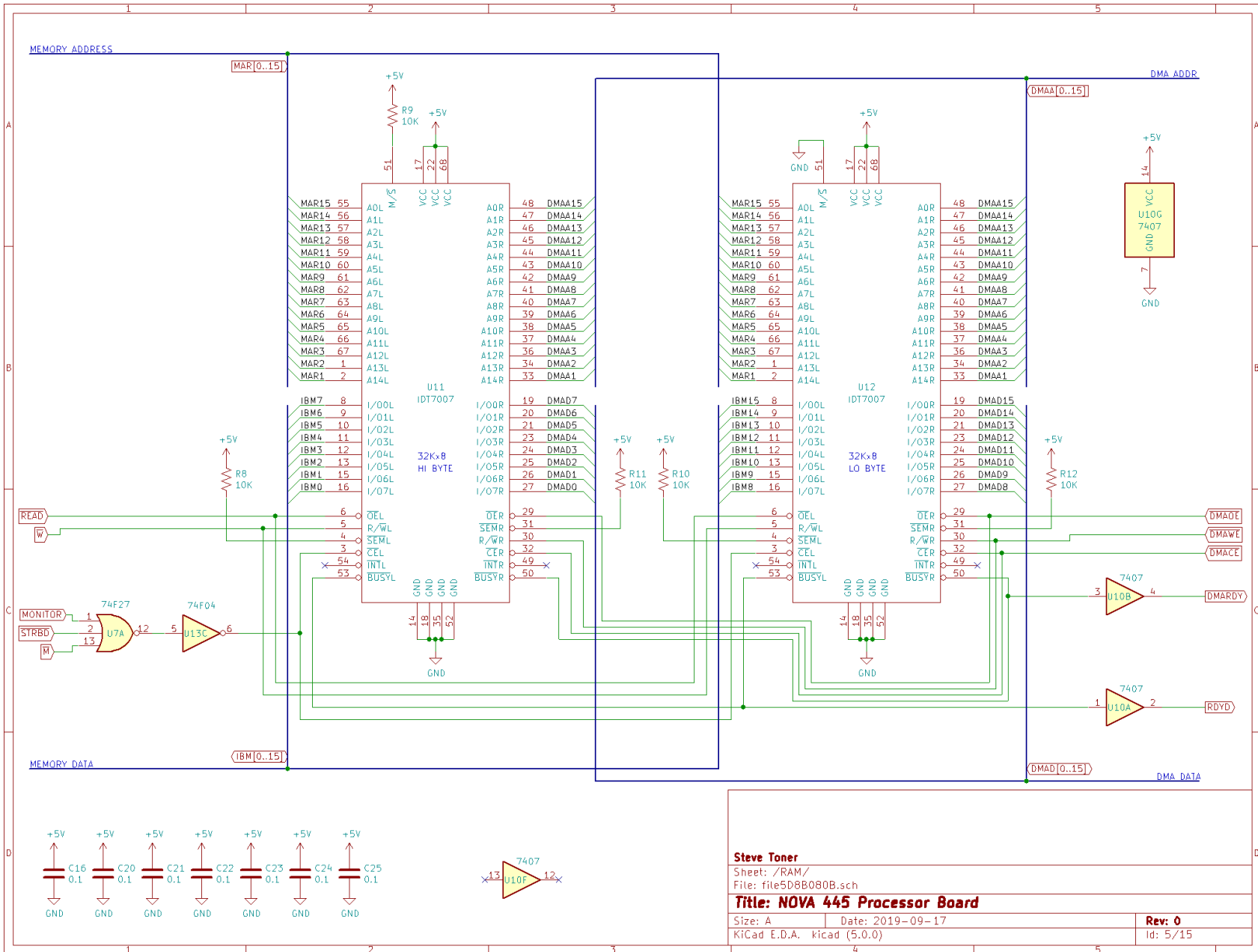
Title: NOVA 445 Processor Board

Size: A Date: 2019-09-17

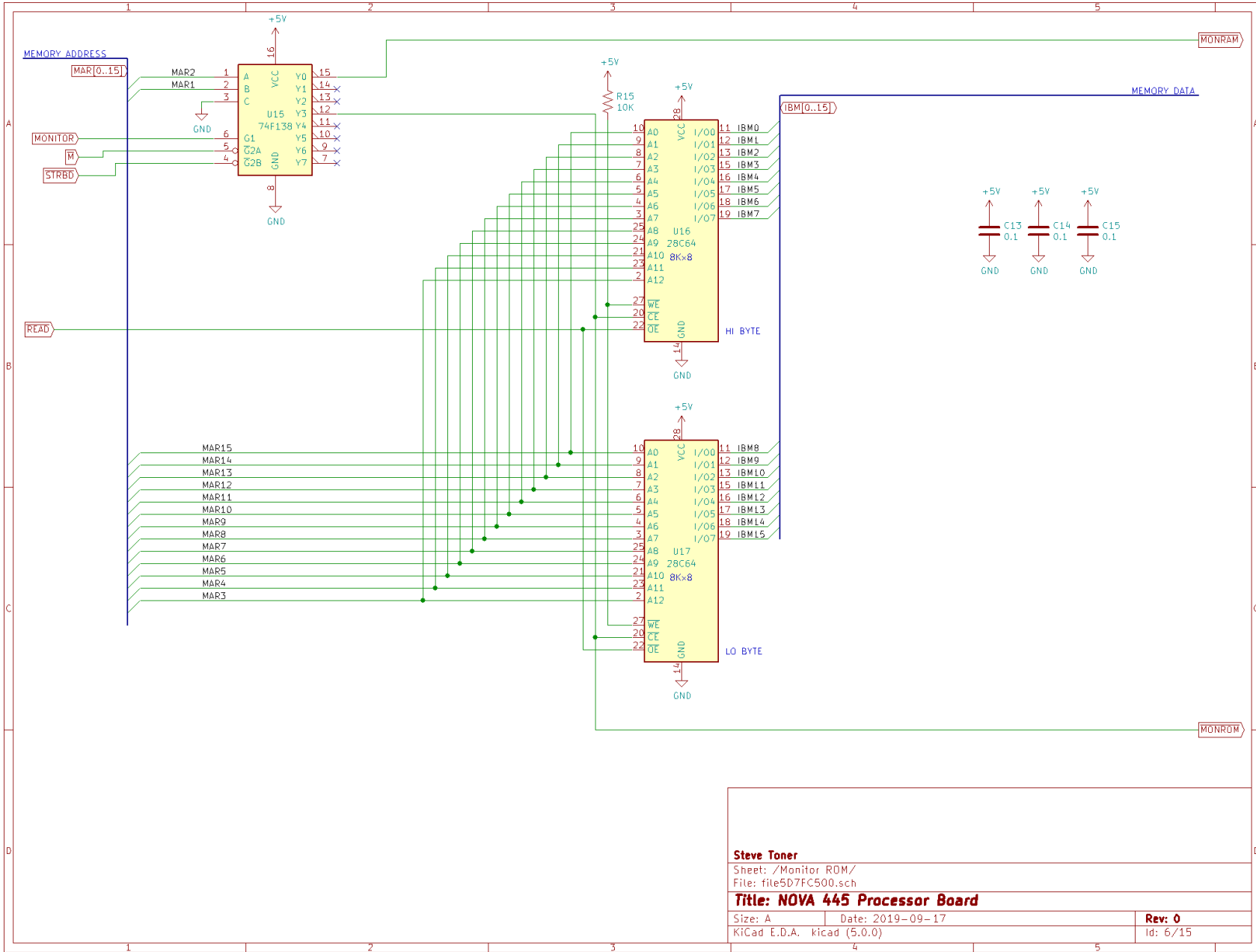
KiCad E.D.A. KiCad (5.0.0)

Rev: 0

Id: 4/15



Steve Toner
 Sheet: /RAM/
 File: file5D8B080B.sch
Title: NOVA 445 Processor Board
 Size: A Date: 2019-09-17 Rev: 0
 KiCad E.D.A. kicad (5.0.0) Id: 5/15



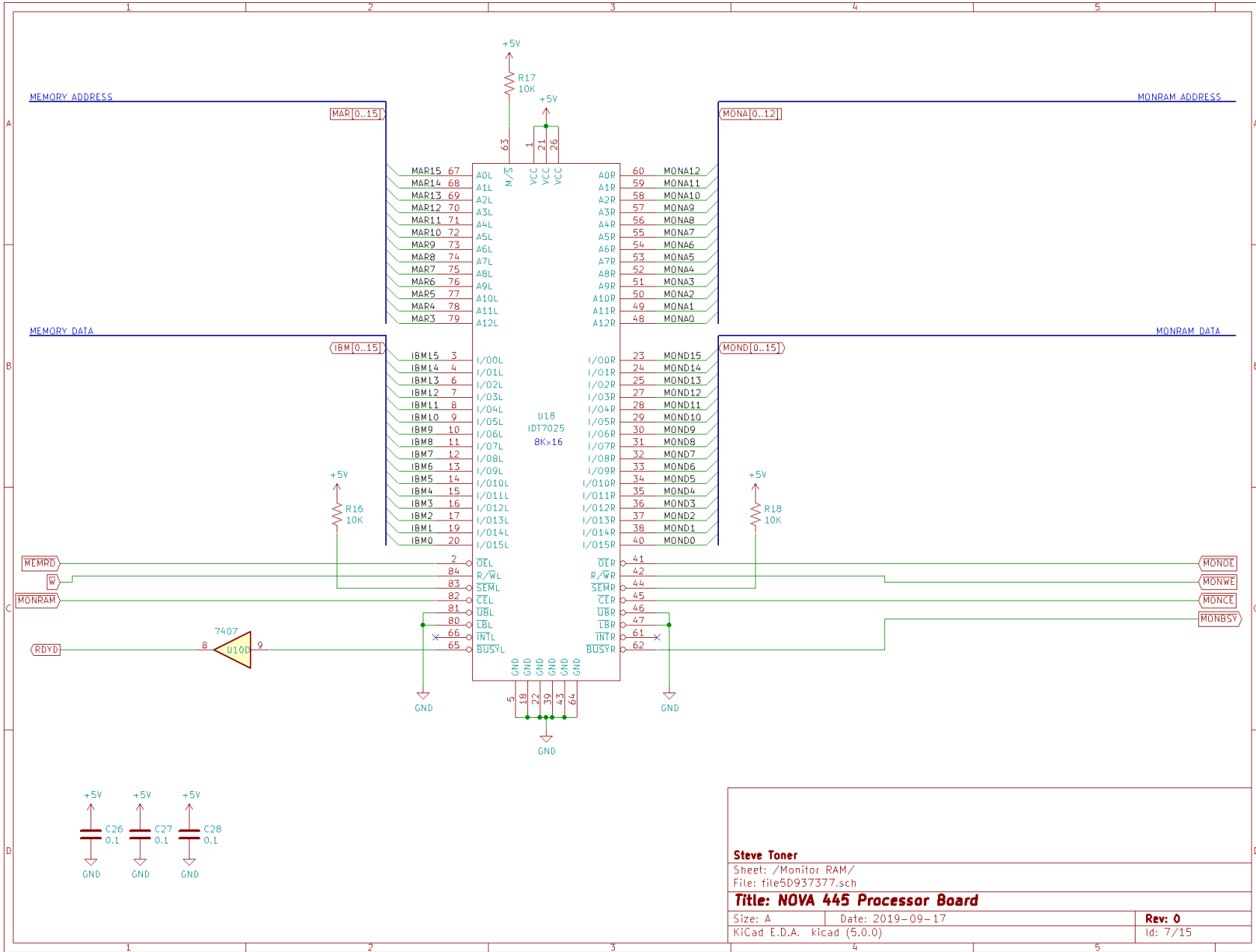
Steve Toner

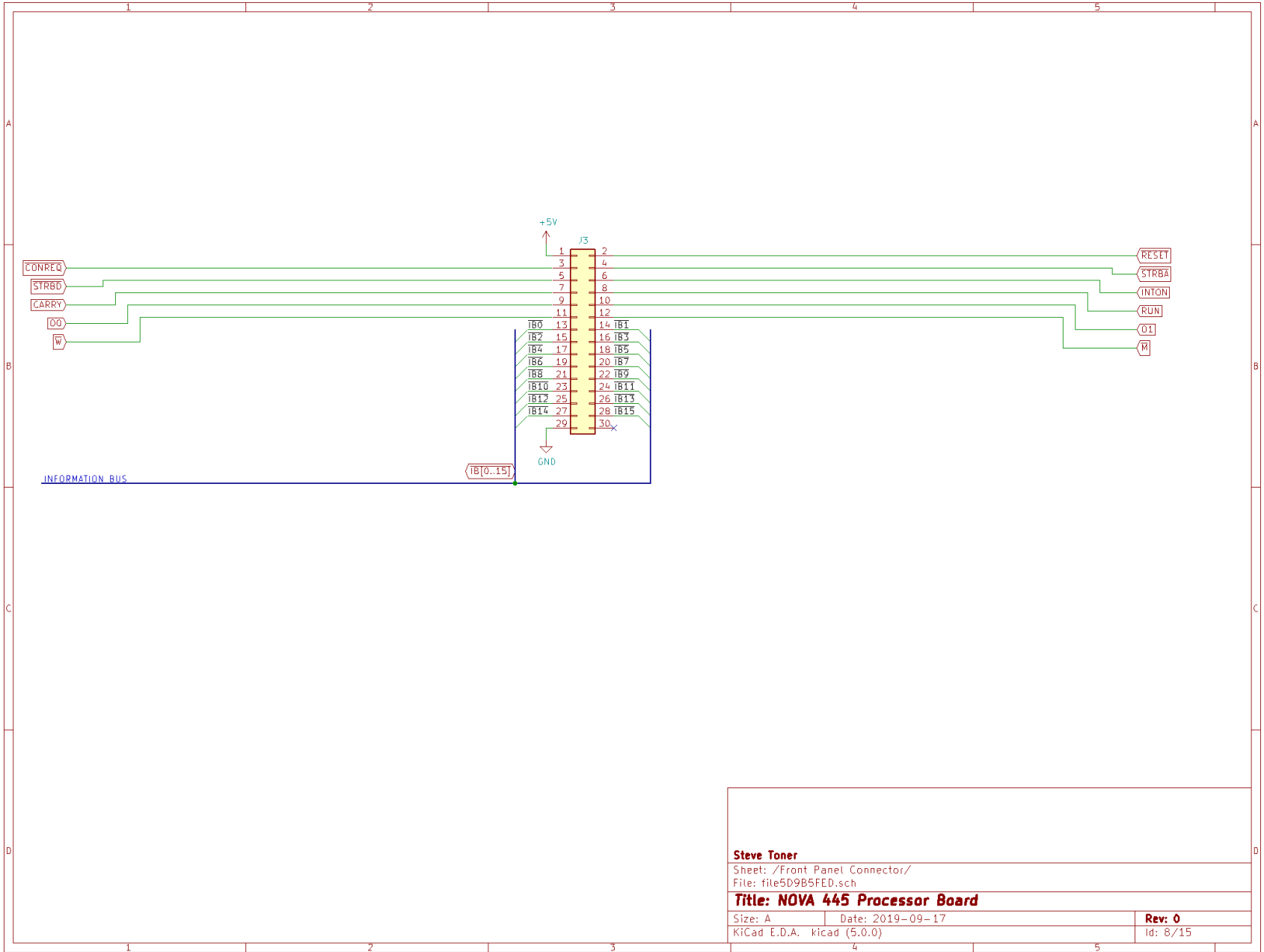
Sheet: /Monitor ROM/
File: file5D7FC500.sch

Title: NOVA 445 Processor Board

Size: A Date: 2019-09-17
KiCad E.D.A. KiCad (5.0.0)

Rev: 0
Id: 6/15





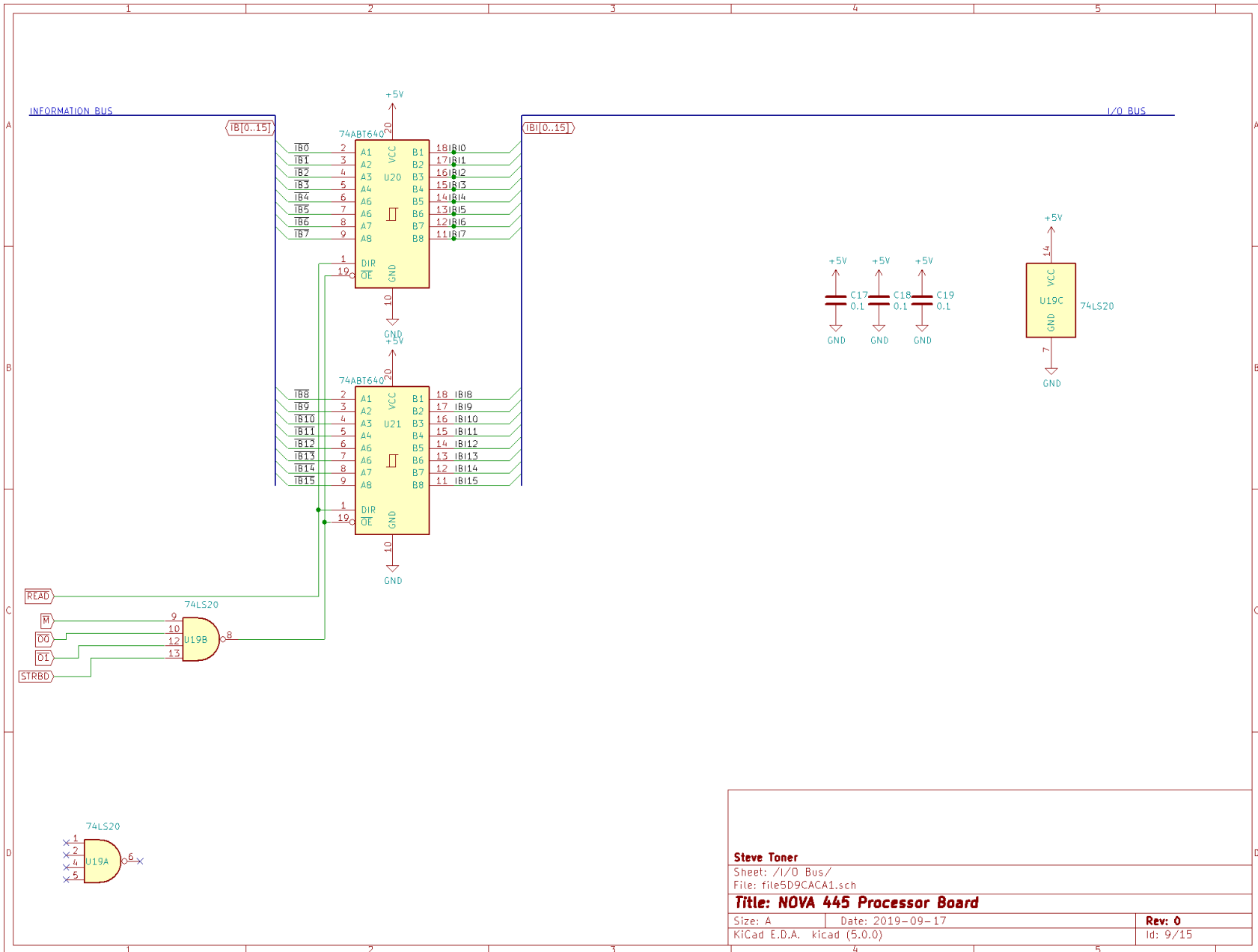
Steve Toner

Sheet: /Front Panel Connector/
 File: file5D9B5FED.sch

Title: NOVA 445 Processor Board

Size: A Date: 2019-09-17
 KiCad E.D.A. kicad (5.0.0)

Rev: 0
 Id: 6/15



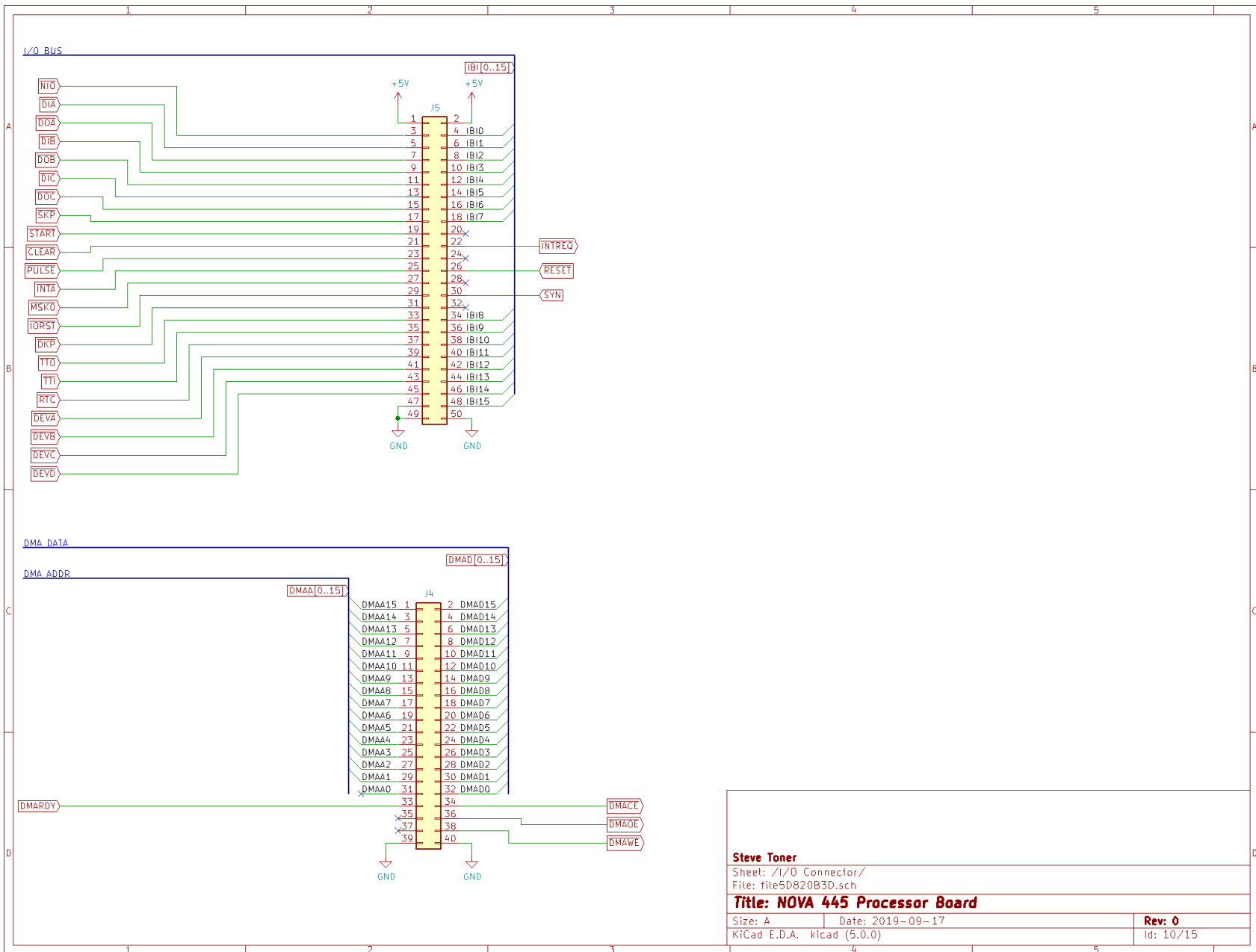
Steve Toner

Sheet: /I/O Bus/
File: file5D9CACA1.sch

Title: NOVA 445 Processor Board

Size: A Date: 2019-09-17
KiCad E.D.A. kicad (5.0.0)

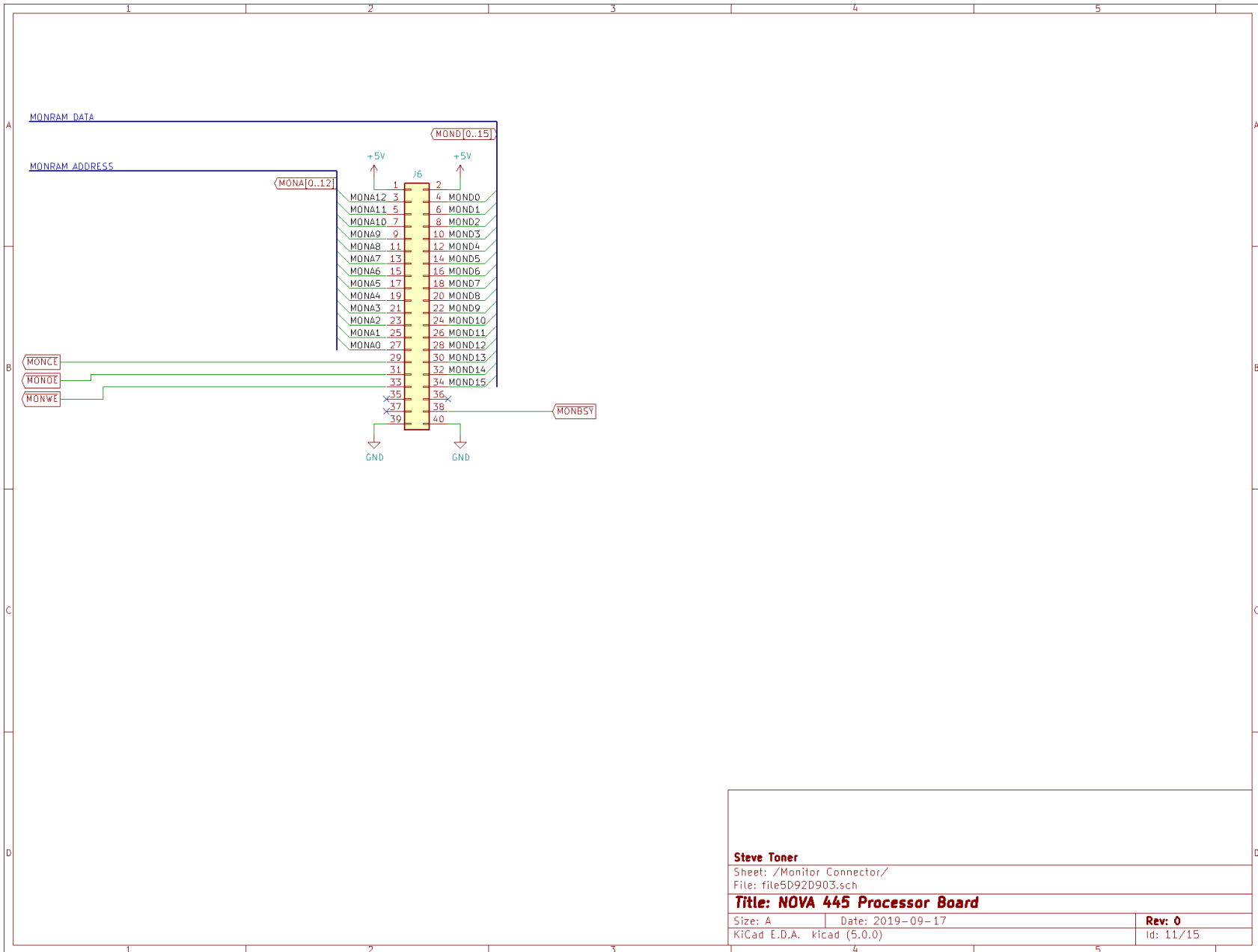
Rev: 0
Id: 9/15



Steve Toner
 Sheet: /I/O Connector/
 File: file5D820B3D.sch

Title: NOVA 445 Processor Board

| | | |
|----------------------------|------------------|-----------|
| Size: A | Date: 2019-09-17 | Rev: 0 |
| KiCad E.D.A. KiCad (5.0.0) | | Id: 10/15 |



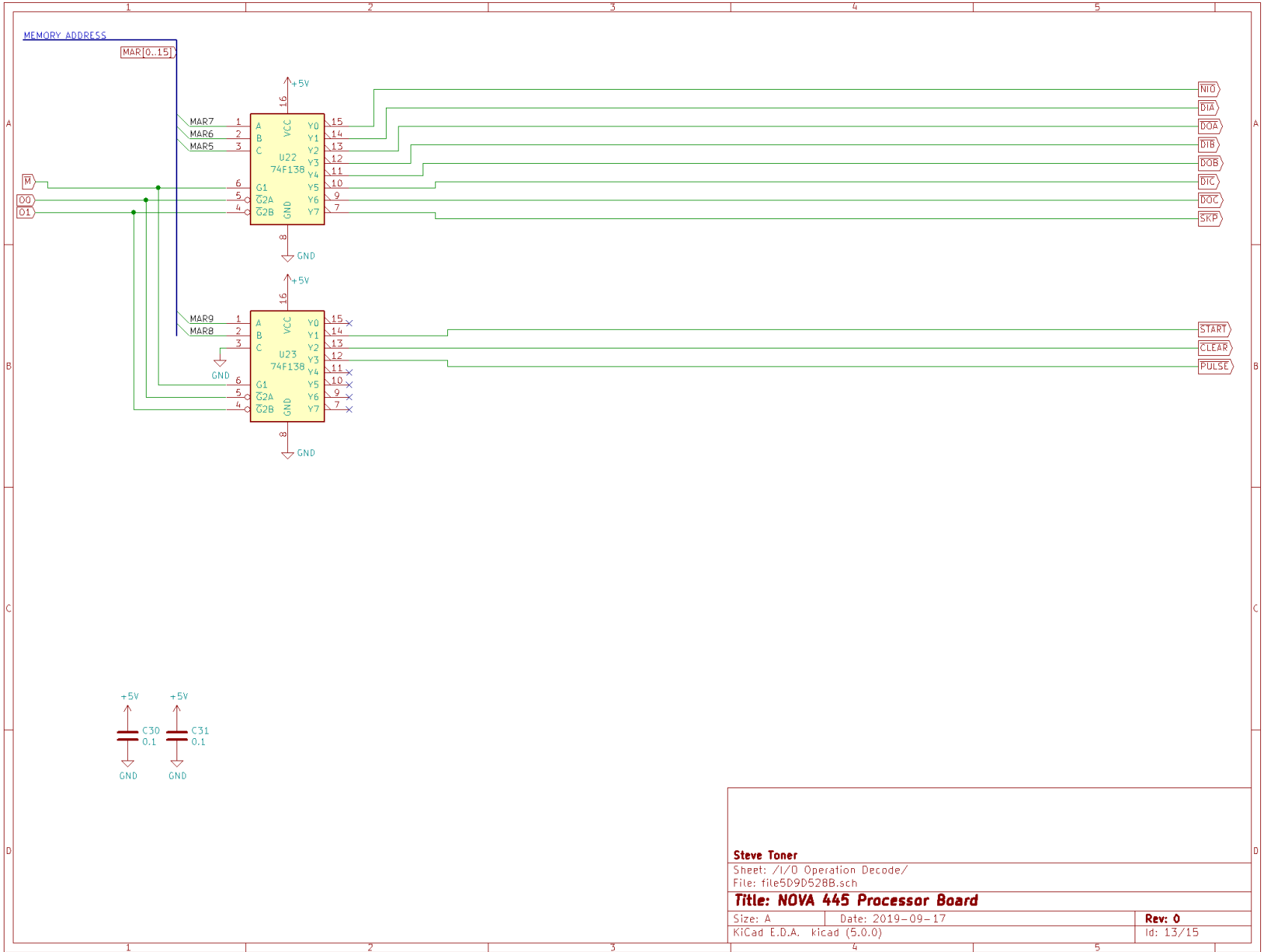
Steve Toner

Sheet: /Monitor Connector/
File: file5D92D903.sch

Title: NOVA 445 Processor Board

Size: A Date: 2019-09-17
KiCad E.D.A. KiCad (5.0.0)

Rev: 0
Id: 11/15



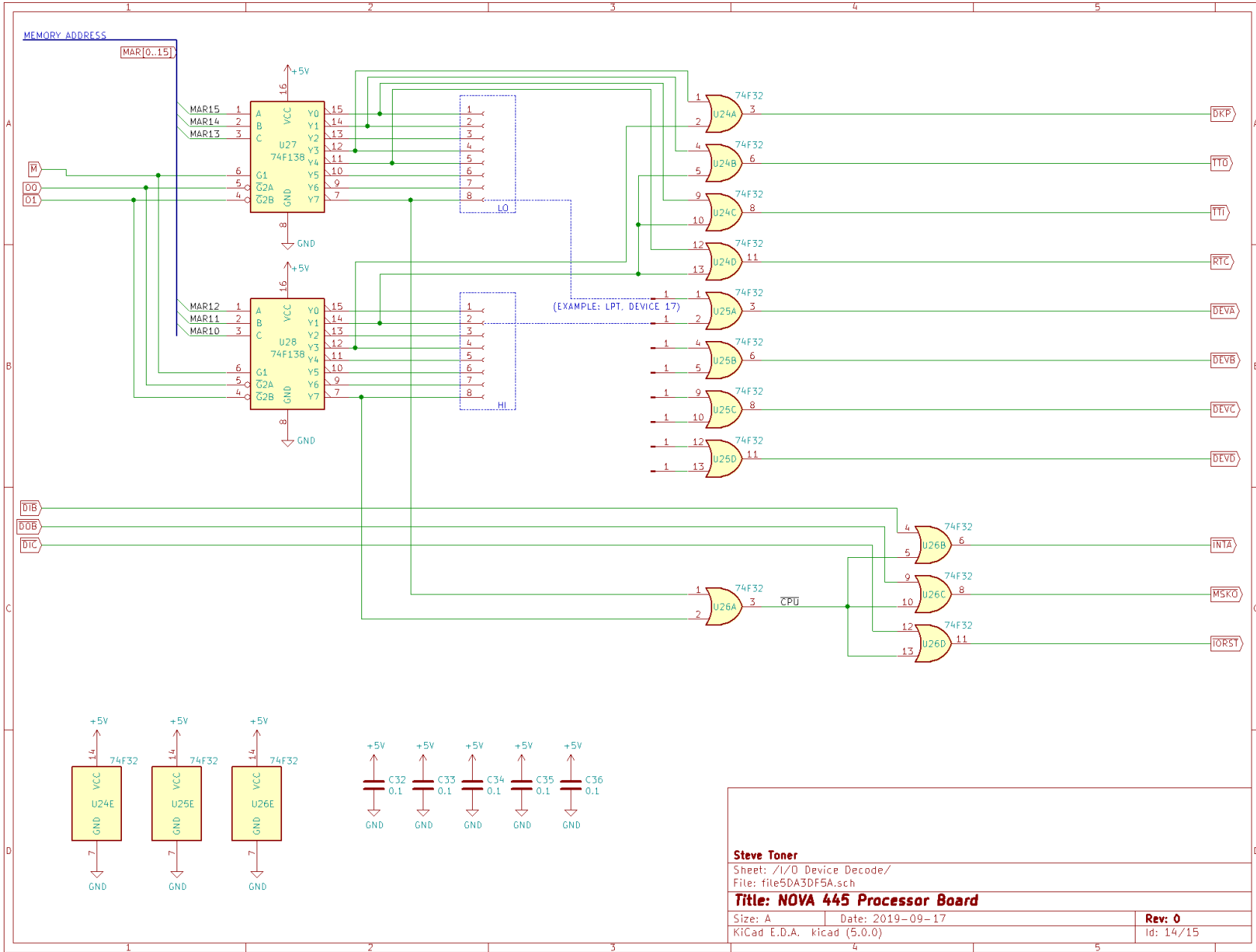
Steve Toner

Sheet: /I/O Operation Decode/
File: file5D9D528B.sch

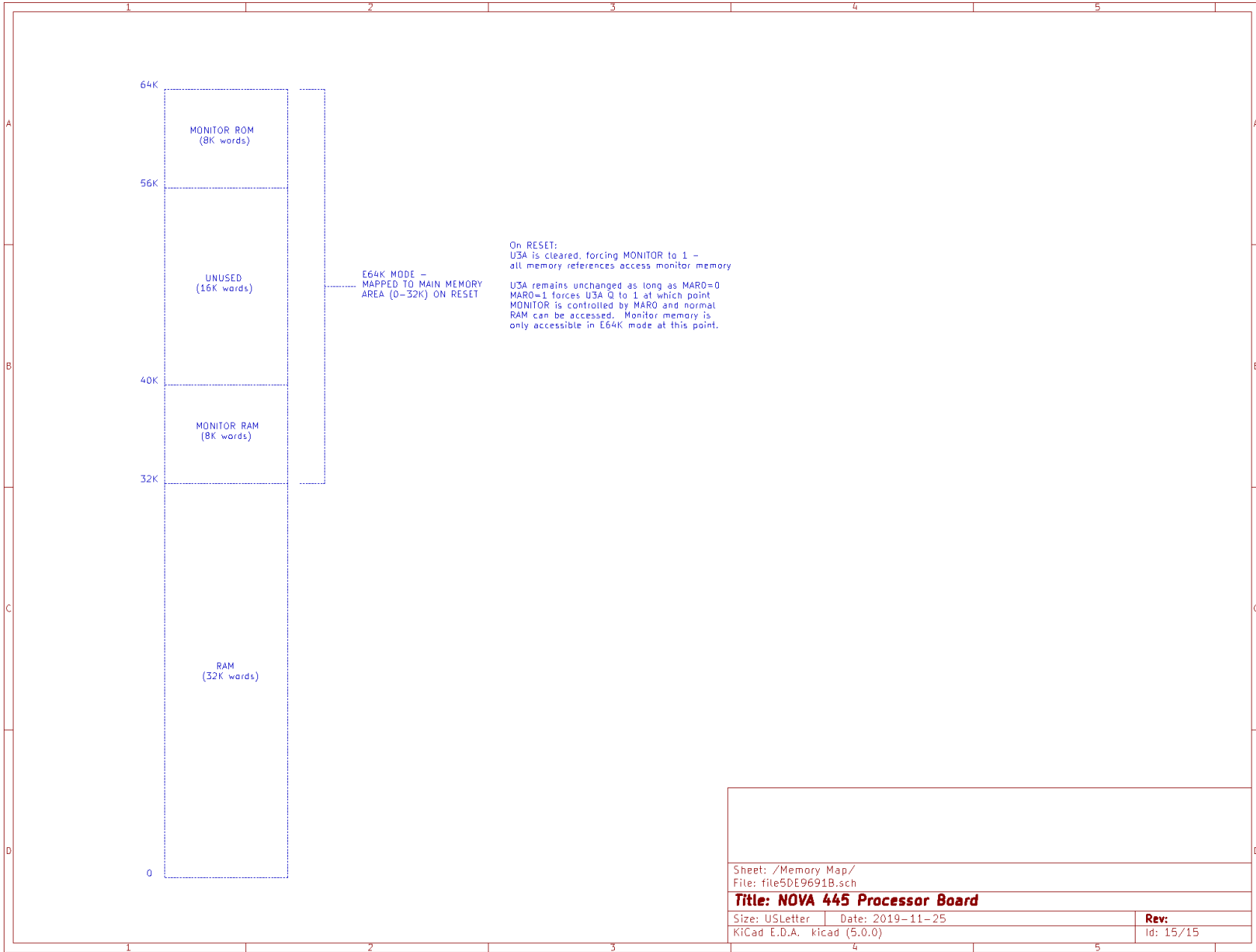
Title: NOVA 445 Processor Board

Size: A Date: 2019-09-17
KiCad E.D.A. kicad (5.0.0)

Rev: 0
Id: 13/15



Steve Toner
 Sheet: /I/O Device Decode/
 File: file5DA3DF5A.sch
Title: NOVA 445 Processor Board
 Size: A Date: 2019-09-17 Rev: 0
 KiCad E.D.A. Kicad (5.0.0) Id: 14/15



| | |
|---|-------------------|
| Sheet: /Memory Map/ File: file5DE9691B.sch | |
| Title: NOVA 445 Processor Board | |
| Size: USLetter | Date: 2019-11-25 |
| KiCad E.D.A. Kicad (5.0.0) | Rev: Id: 15/15 |